



## **30 Ton Capacity Hydraulic Tunnel Wrecker Short 112" Wheel Base**



### **Standard Features:**

- § Dual 30,000 lb hydraulic upright winches
- § 75' x 5/8" cable each drum
- § Winch cable tensioners
- § Non-telescopic reinforced box boom
- § Custom aluminum body with 1 1/4" thick front & rear plates for counter-balance
- § Side tool compartments with aluminum rollup doors
- § Interior compartment lighting - LED
- § Dual rear control stations with kill switches
- § Custom high light pylon - Aluminum
- § Glad hand & trailer plug connectors
- § Federal light package #108 - LED
- § Super duty tow bar with rubber rings
- § Hydraulic PTO / Pump
- § Hookup & safety chain package
- §

### **Boom Rating:**

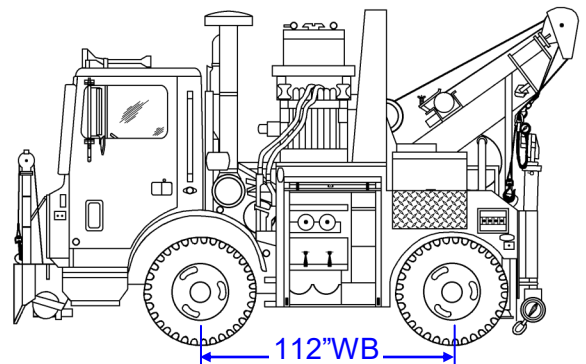
- § Retracted-----60,000 lbs.
- § Tow Rating-----80,000 lbs.

### **Winch Ratings:**

- § Rear-----30,000 lbs. each
- § Front (optional)-----8,000 lbs. each
- § SAE Rated-----2.0 Safety factor

### **Optional Features:**

- § Rear under lift apparatus:  
6,500 - 10,000 lb lift capacities available
- § Fire fighting system apparatus
- § Hydraulic vertical rear body jacks
- § Rear vision camera system
- § Automobile towing assembly w/ chains
- § Stainless decor packages
- § Spot lights / work lights / Karstarts / Barlights
- § Snatch blocks / wheel chocks
- § Custom options as requested
- § Painting options
- §
- §
- §



**Able Weldbuilt Industries Inc.**  
**1030 Grand Blvd. & Deer Park, N.Y. 11729**  
**Phone: (631) 643 - 9700 Fax: (631) 491 - 4728**  
**Web Address: [www.weldbuilt.com](http://www.weldbuilt.com)**

\*RATINGS STATED ARE BASED ON STRUCTURAL FACTORS ONLY, NOT VEHICLE CAPACITY OR CAPABILITIES.  
 SPECIFICATIONS SUBJECT TO CHANGE WITHOUT NOTICE.